

Triple Ruffle Towels

Make over towels with a few simple steps! Add a splash of color by sewing ruffles to the bottom hem of toweling fabric or premade towels. It's so simple you'll want to give all your towels this designer look. Embellish towels further by adding your favorite embroidery, appliqué designs, buttons, fabric flowers, and more.

SUPPLIES: (For one towel)

- 1 yd. toweling fabric or 1 purchased towel
- 1/8 yd. trim fabric
- 1/8 yd. top ruffle fabric
- 1/8 yd. middle ruffle fabric
- 1/8 yd. bottom ruffle fabric

HELPFUL NOTIONS:

- 3/4" Bias Tape Maker
- Bamboo Pointer Creaser
- Chaco Liner Pen Style
- Best Press™ Starch Alternative
- Matching all-purpose thread
- Ruffler Foot Low Shank
- Rotary cutter, ruler, and mat

INSTRUCTIONS:

1. Prewash toweling fabric or purchased towels and starch with Best Press™ Starch Alternative.

2. Cut fabric.

- Trim: Cut one 1 1/2" crosswise strip.
- Ruffles: Cut one 4" crosswise strip for each ruffle (top, middle, and bottom ruffles).

Note: If towel measures 24" or wider, increase yardage to 1/4 yd. for each ruffle, and cut two 4" crosswise strips for each ruffle. Seam crosswise strips at short edges.

3. Hem short edges of toweling fabric.

- Serge or zigzag the short edges of the toweling.
- Press under a 1/2" hem and topstitch.

Note: Another option is to press under 1/2" twice along each short raw edge and topstitch.

4. Mark ruffle lines on towel.

- Mark towel 2", 3 1/2", and 5" from the hem edge for ruffle placement.
- Mark a line 1/4" above the top line for trim placement.

5. Prepare ruffle strips.

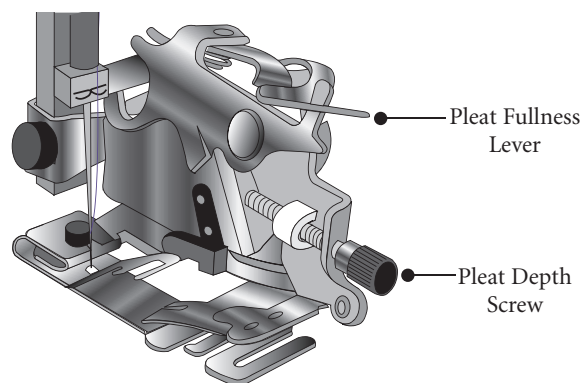
- Fold short edges of ruffle strips, right sides together.
- Join short edges with a 1/4" seam; trim, press, and turn right side out. Use the Bamboo Pointer Creaser to get nice sharp corners.



- Fold lengthwise edges of strips, wrong sides together.
- Serge or zigzag the long raw edges of the strips, leaving 3"-4" thread tails.

6. Set up Ruffler Foot.

- Use the **Pleat Fullness Lever** to control how often the Ruffler Foot makes a gather or pleat. The small opening is labeled #1, #6, and #12. #1 will gather every stitch, #6 will gather every 6th stitch, and #12 will gather every 12th stitch.
- Use the **Pleat Depth Screw** to regulate how deep each pleat is. Tighten the **Pleat Depth Screw** for deeper ruffles, and loosen it for shallower ruffles.



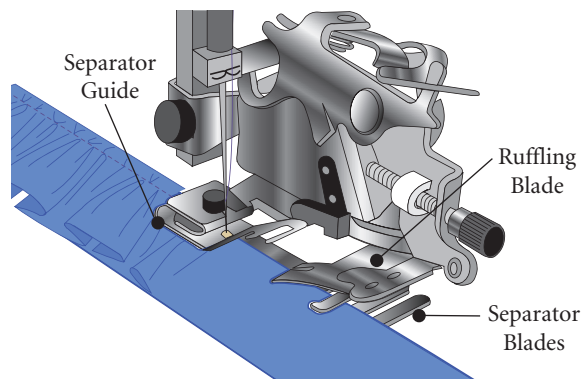
7. Attach Ruffler Foot to sewing machine:

- Make sure that the needle is in the center position.
- Raise the needle bar to its highest position.
- Attach Ruffler Foot to the machine, placing the **Fork Arm** over the sewing machine needle clamp screw.
- Set the machine for a straight stitch.
- Test the stitch length that is best for the ruffles. Changing the stitch length affects the amount of fullness in the ruffle. If all the other settings are similar, the shorter the stitch length, the fuller the ruffle.

Note: Use a long basting stitch for easy adjustment of the ruffle strips when attaching them to the towel.

8. Use the Ruffler Foot to create ruffled strips.

- Hold the thread tail of the serged or zigzagged bottom fabric strip, and weave the strip under the **Separator Blades** prong area in front of the foot.
- Continue threading the strip under the moveable **Ruffling Blade** teeth area and back **Separator Guide**.



- Stitch at an even steady speed, gently guiding the fabric to allow the foot to feed even amounts of fabric.

9. Attach ruffled strips to the towel at markings.

- Start at the 2" marking on the towel and align the top of the **bottom ruffle** on the marking; pin. Adjust ruffle as necessary.
- Topstitch the bottom ruffle to the towel.
- Repeat, pinning and sewing the **middle ruffle** and the **top ruffle** to the remaining ruffle markings.

10. Create trim.

- Use Best Press™ Spray Starch Alternative to give the trim strip extra body.
- Cut trim diagonally on one short edge. Insert diagonal fabric edge into the Bias Tape Maker and advance with a pin
- Press as you advance the fabric from the tape maker.
- Measure the width of the towel and add ½". Cut trim to measurement.
- Open folds at short ends, and fold under ¼" at both ends. Refold on press line.
- Align trim on ¼" marking above ruffles, covering the edge of the top ruffle; pin. Join trim to towel to complete the ruffled trim.

Add additional embellishment, as desired.